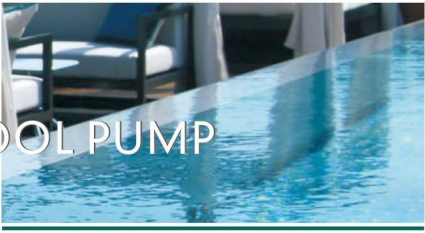




# 专业泳池泵

## PROFESSIONAL SWIMMING POOL PUMP

### ALK



- Low noise, 4 pole motor 1450rpm speed, running sound is 10dB lower than ordinary water pump.
- 50% energy and electricity saving, the flow rate is twice more than ordinary water pumps in the same power, and the saved electricity cost for half a year exceeds the cost of the pump.
- Wide application, suitable for swimming pool, SPA, hot spring, aquarium, etc.
- Long lasting, five-year warranty on pump motor, and the pump can be used for more than ten years.
- Corrosion resistance, using 316L stainless steel motor shaft, 316 stainless steel spring, Italian graphite mechanical seal.
- Using international well-known NSK brand bearing, small friction coefficient, and maintenance-free.
- The motor is IP55 waterproof and F-class insulated.
- Sturdy and durable large-capacity filter basket, smooth inner surface is easier to clean.



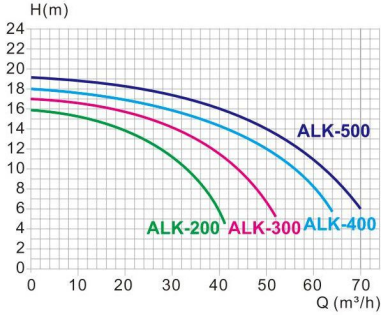
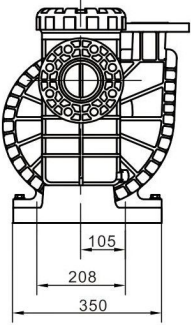
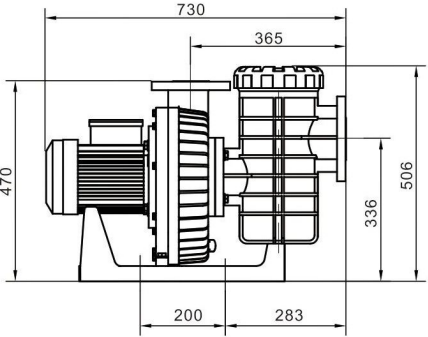
- 低噪音, 4极电机1450rpm转速, 运行声音比普通水泵低10dB以上;
- 节能省电50%, 流量是同功率普通水泵的2倍, 半年节省电费超过设备的费用;
- 适用广, 适用于泳池、SPA、温泉、海洋馆等;
- 寿命长, 水泵电机质保五年, 设备可用十年以上;
- 耐腐蚀, 采用316L不锈钢电机转轴, 316不锈钢弹簧、意大利石墨机械密封;
- 轴承采用国际知名品牌NSK, 摩擦系数小, 免维护;
- 电机为 IP55 防水等级, F级绝缘等级;
- 结实耐用大容量过滤篮, 光滑的内表面更容易清理。

Appearance and design patented, 已注册外观与设计专利, 仿冒必究!  
counterfeiting not allowed! Patent No.专利号: CN202030417149.6

适用于70°C的温泉, 承受压力6kg/cm<sup>2</sup>

Suitable for 70°C hot spring water, working pressure up to 6 kg/cm<sup>2</sup>.

### Specification and size: 技术参数及产品尺寸



Model 型号	Voltage 额定电压	Power 额定功率		Inlet 进水口	Outlet 出水口	Hmax 最大扬程	Qmax 最大流量
	(V/Hz)	(kW)	(HP)			(M)	(m³/h)
ALK-200	380/50	1.5	2.0	DN80	DN65	16	41
ALK-300	380/50	2.0	3.0	DN80	DN65	17	52
ALK-400	380/50	3.0	4.0	DN80	DN65	18	65
ALK-500	380/50	3.8	5.0	DN80	DN65	19	75